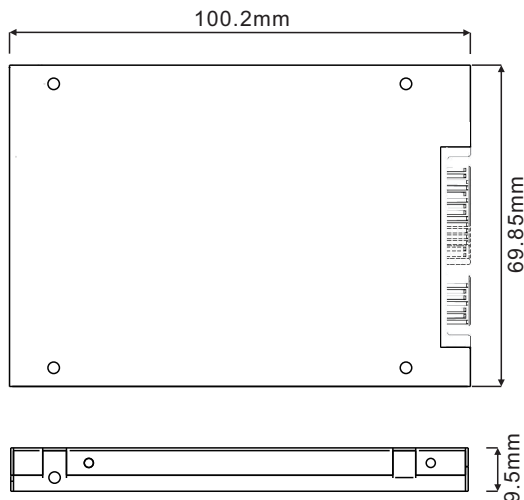


2.5in ^{9.5}mm

RAID CARD

SATA 3 to **M.2 SSD** x2 Enclosure



Features

- Standard 2.5", 9.5mm(H) Form Factor
- Support a SATA host & two M.2 NGFF SSD devices
- Built-in ASM1092R high performance processor
- RAID mode switch by hardware strapping or GUI controller
- RAID mode: RAID 0(fast) / RAID 1(safe) / JBOD(volume)
- 3-button Hardware switch to setup RAID mode
- Green LED indicate SATA 3 host active
- Red LED indicate M.2 NGFF SSD error

Specifications

- Support SATA Reversion 3.2
- Compliant with PCI Express M.2 Spec. Version 1.0
- Support SFF-8201 for Form Factor of 2.5" Disk Drives
- PWM synchronous buck converter Power IC
 - 3A maximum output current
 - Short circuit protection
 - In-rush current suppression
 - Thermal shutdown protection
 - ESD HBM (Human Body Mode)/2KV

Support M.2 Form factor

- Type 2280-D2-B-M: 80mm(L) x 22mm(W)
- Type 2260-D2-B-M: 60mm(L) x 22mm(W)
- Type 2242-D2-B-M: 42mm(L) x 22mm(W)
- Type 2230-D2-B-M: 30mm(L) x 22mm(W)

**2.5
INCH**

**M.2
SSD**

**SATA
6GB/s**

